

Agenda item 3 b

Paragraph 25 of the annotated agenda

Baseline standard

CDM EB 60

Bangkok, Thailand, 11-15 April 2011



TABLE OF CONTENTS

Background

Why a baseline standard

Place in the architecture of the CDM standards

What is it made of

Conclusions

Actions from the Board



BACKGROUND

EB 58 agreed to invite public comments on the “Tool for baseline scenario identification and baseline emission calculations”;

A workshop was organized to further discuss the inputs received;

The MP considered the outcome of the workshop and provided recommendations to the Board.

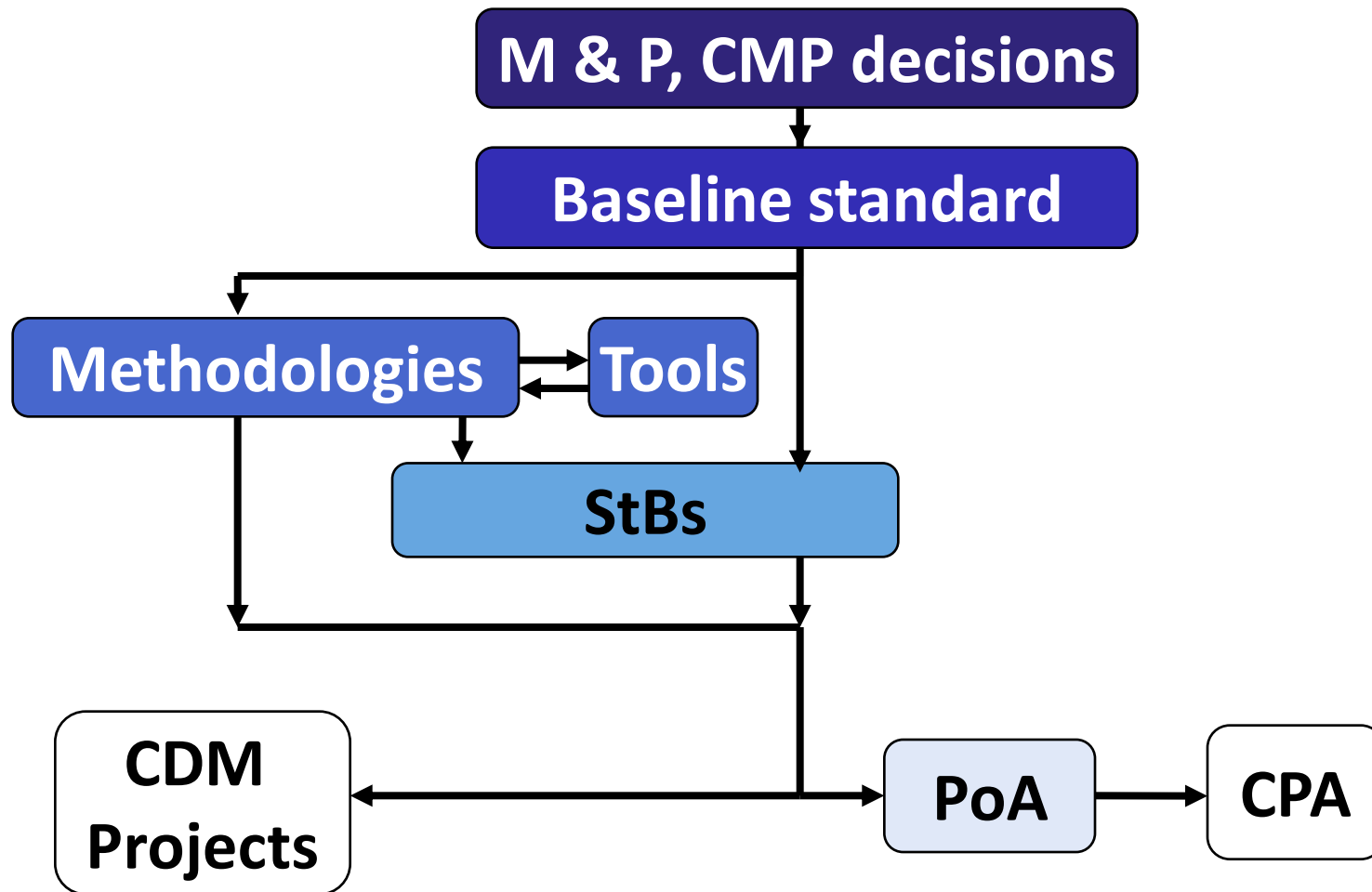
WHY A BASELINE STANDARD

- **Provides guidance for the development of Meth**
- **Ensures consistency**
- **Enhances objectivity**
- **Enhances predictability**
- **Provides room for falsification and broad improvement**

WHY A BASELINE STANDARD

- **Enhances transparency**
- **Puts the quality gate at an early stage**
- **Streamline the work of the MP**
- **Could be the memory of the MP**
- **Allow new mechanisms and other programs to learn from CDM**

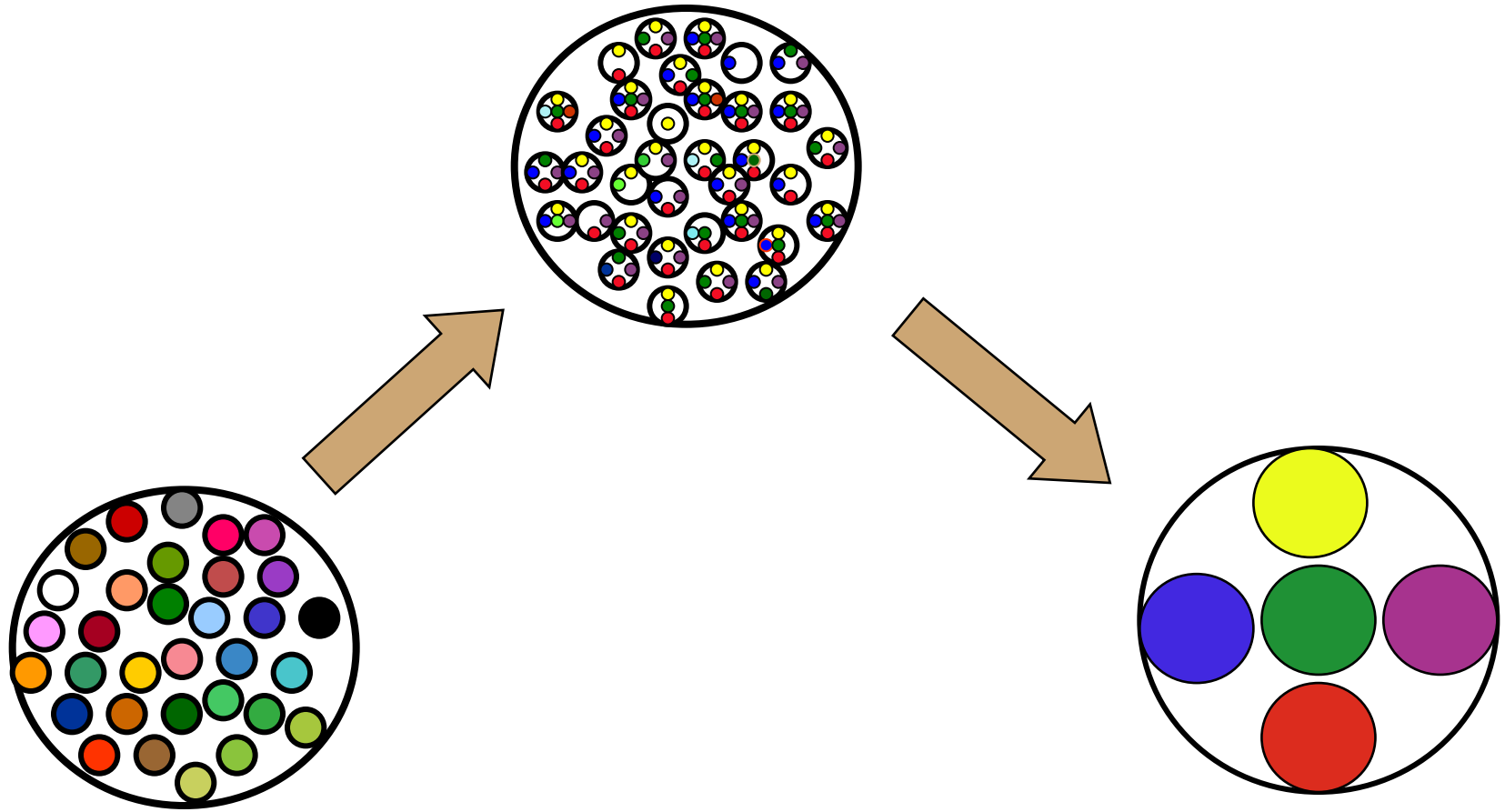
WHERE IN THE ARCHITECTURE OF OUR STANDARDS



Not a tool but rather a standard



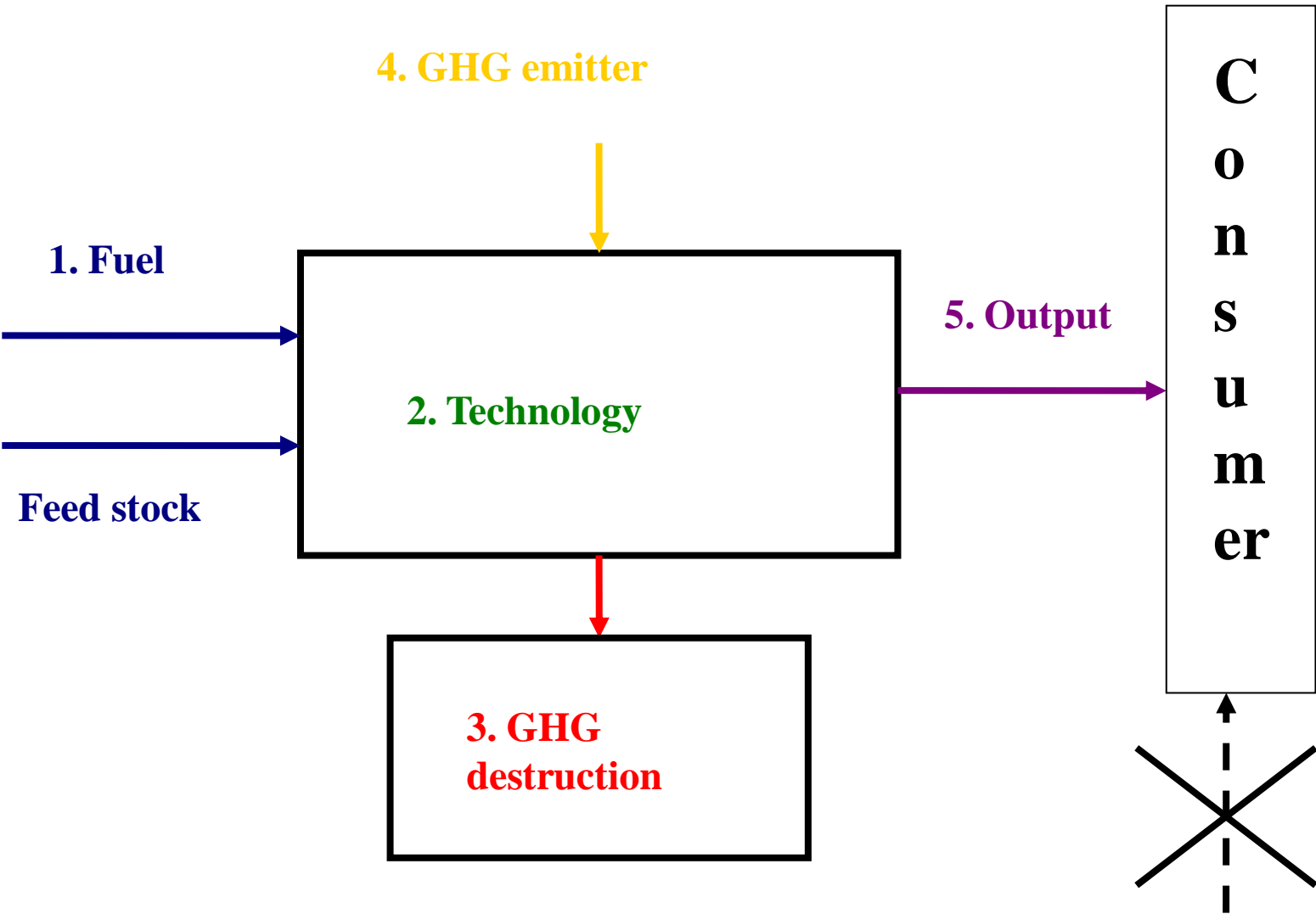
THE GENERAL PRINCIPLE



Current CDM methodologies

A class of activity with common characteristics for baseline setting

THE CLASSES OF ACTIVITIES



OUTCOME OF THE CONSULTATION

- **To avoid confusion with StB, a better name proposed is baseline framework;**
- **The baseline framework is too complex and could be further simplified (algorithm, concept);**
- **The proposed framework could contribute to the improvement of the CDM. It should not be a tool but rather a standard for Meth development and assessment;**
- **It could be used to revise methodologies and improve their consistency but not before 2013;**

OUTCOME OF THE CONSULTATION

- **The baseline framework has been tested for the oil and gas sector by the O&G CDM meth Workgroup and provided very good results;**
- **It might be tested for other sectors;**
- **The framework could be very useful for new mechanisms to learn from CDM standards;**
- **It could also be very useful for other programs to learn from CDM standards.**



RECOMMENDATION OF THE MP

To prepare a background document that:

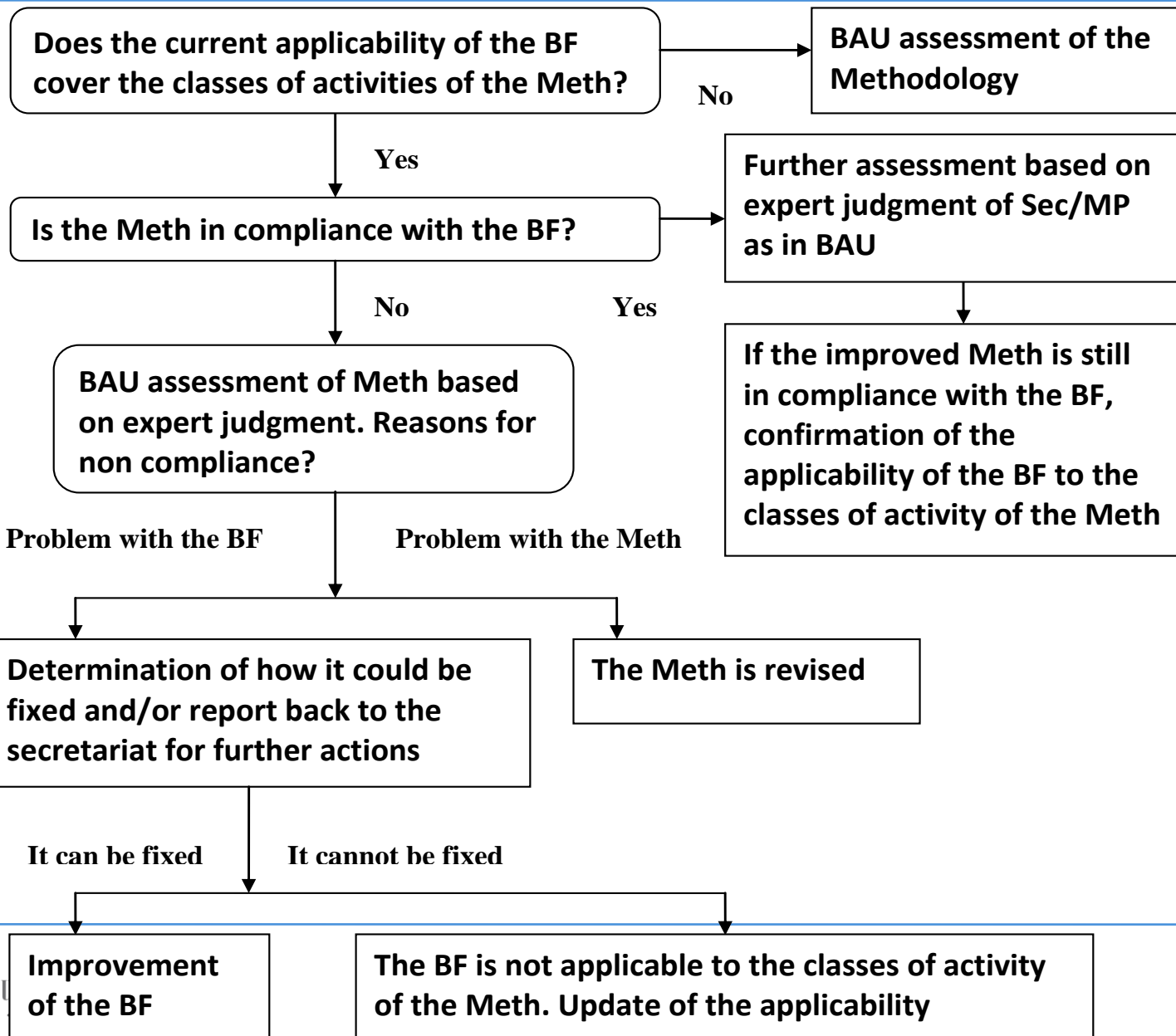
- highlights overarching principles and approaches which have been applied behind Meths;
- organizes and synthesizes knowledge for a better understanding of the rationale behind the Meths;
- enhance the consistency of the Meths;
- serve as inputs for new projects/sectors based new mechanisms;

The framework proposed by the secretariat provides a good starting point;

The development of StBs and continuous improvement of Meths is of higher priority.



TESTING OF THE BF: POSSIBLE



ACTION FROM THE BOARD

The Board may wish to request the secretariat:

- to account for the technical inputs provided by the stakeholders and revise the BF;**
- to submit to the Board the revised version of the BF as well as options for its use for its consideration not later than EB62.**



THANK YOU FOR YOUR ATTENTION